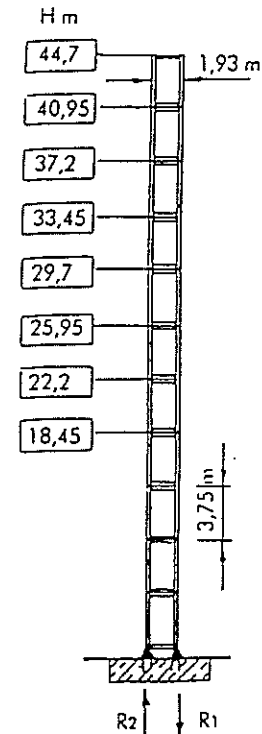
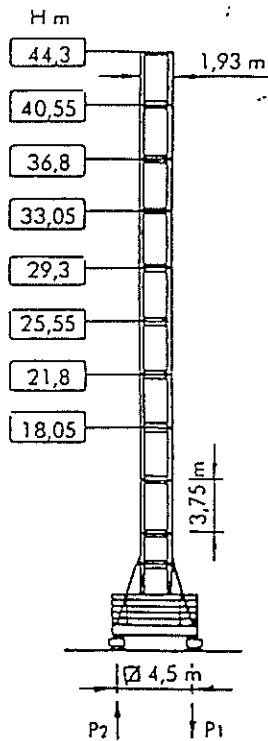
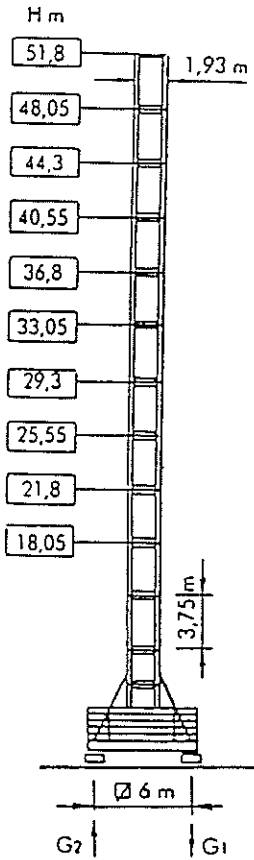


CT 651 S 20



| | | |
|-----|----------|--------|
| G 1 | 83,3 t * | 88 t * |
| G 2 | | 4 t * |
| | 62,8 t | |

| | | |
|-----|----------|----------|
| P 1 | 89,7 t * | 85,7 t * |
| P 2 | | 6,2 t * |
| | 58,3 t | |

| | | |
|-----|-----------|-----------|
| R 1 | 131,9 t * | 132,5 t * |
| R 2 | 92,2 t * | 91,2 t * |
| | 51,2 t | |

H > H max consultateci
H > H max consult us

Peso gru senza zavorra
max H max sbraccio

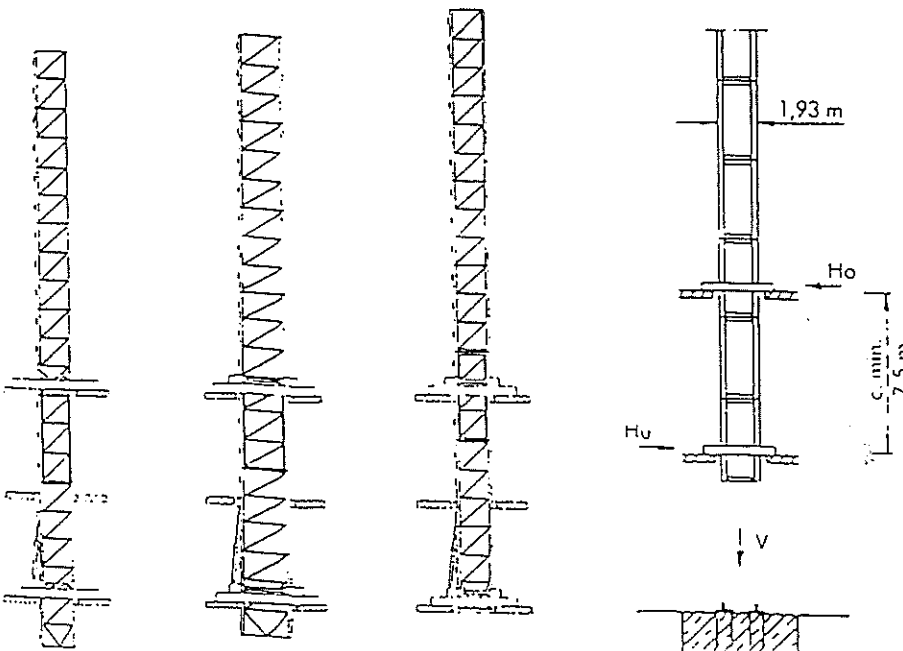
Weight without ballast
max height max jib length

* In servizio
Fuori servizio

* In service
Out of service

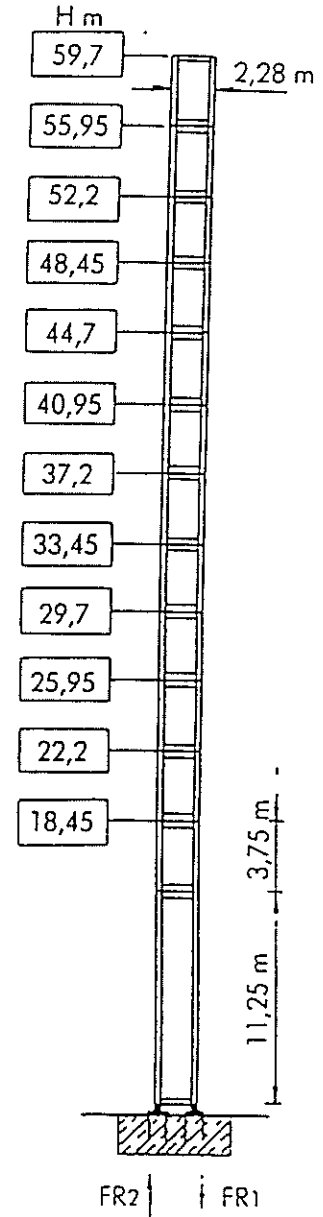
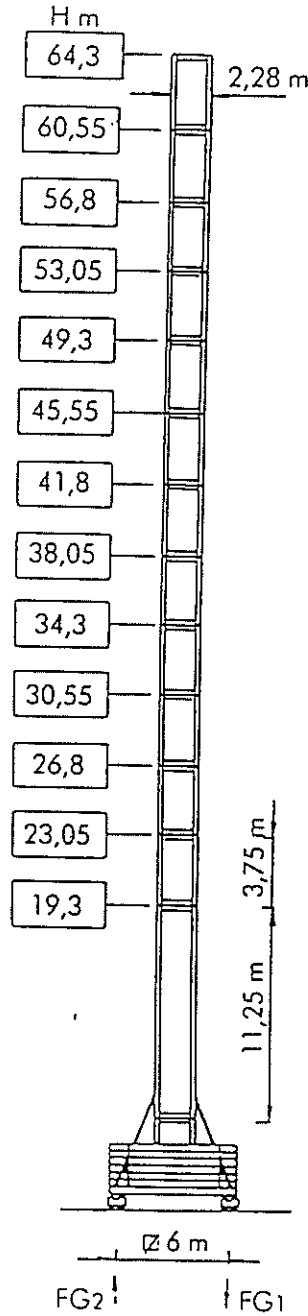
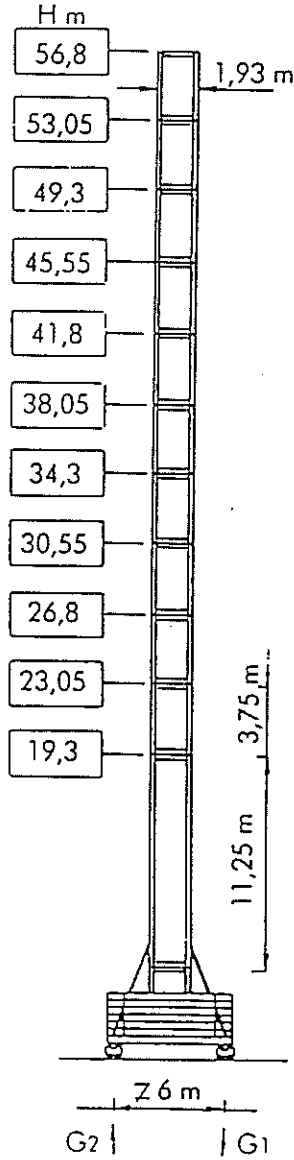
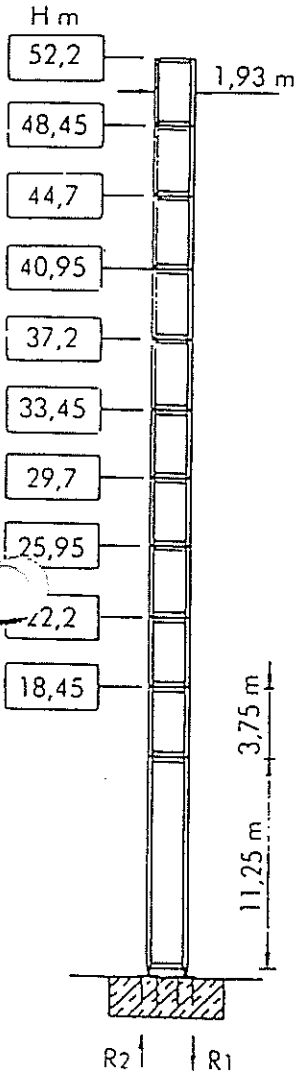
| | | |
|----|----------|----------|
| Ho | 32,7 t * | 28 t * |
| Hu | 30,7 t * | 17,3 t * |
| V | 73 t | |

Per ulteriori informazioni vedi scheda tecnico



CT 051 S 20 TL

CT 051 S 23



| | | |
|-----|---------|-------|
| R 1 | 155 t | 185 t |
| R 2 | 111,3 t | 145 t |
| | 54,8 t | |

| | | |
|-----|--------|-------|
| G 1 | 90,4 t | 107 t |
| G 2 | | 14 t |
| | 66,3 t | |

| | | |
|------|--------|-------|
| FG 1 | 95 t | 122 t |
| FG 2 | | 27 t |
| | 70,8 t | |

| | | |
|------|--------|-------|
| FR 1 | 129 t | 191 t |
| FR 2 | 83 t | 150 t |
| | 59,8 t | |

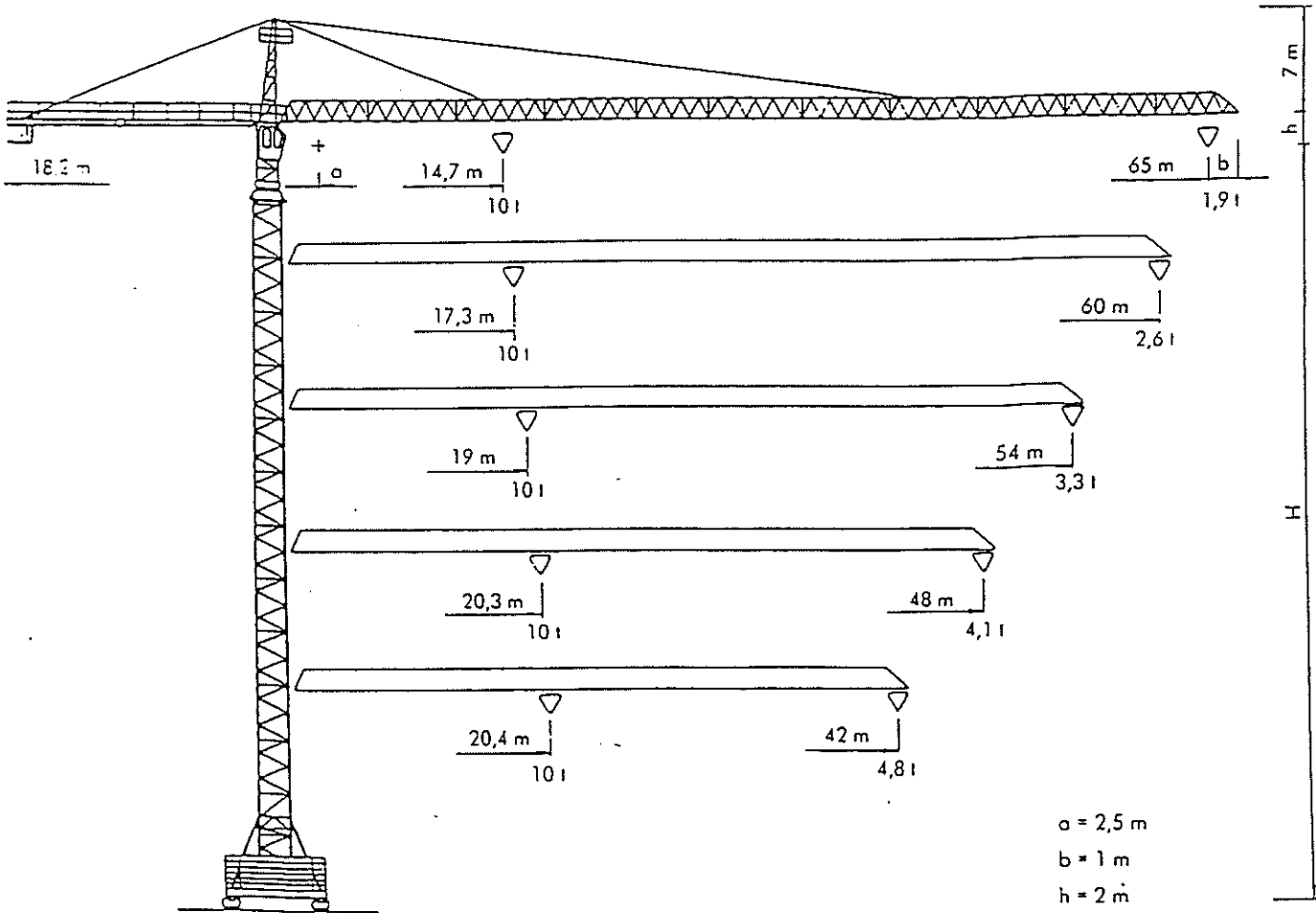
Peso gru senza zavorra
max H max sbraccio

Weight without ballast
max height max jib length

* In servizio
Fuori servizio

* In service
Out of service

CT 651 19-100



SBRACCI E PORTATE - RADIUS AND CAPACITY

| | m | | | | | | | | | | | | | | | | | |
|----------------|-------|----|------|------|------|------|------|------|------|------|------|------|------|------|------|------|------|------|
| | 10 | 16 | 22 | 28 | 30 | 34 | 38 | 40 | 42 | 46 | 48 | 50 | 54 | 58 | 60 | 62 | 65 | |
| 5 t - 29,36 m | (III) | 5 | 5 | 5 | 5 | 4,88 | 4,23 | 3,71 | 3,49 | 3,29 | 2,95 | 2,80 | 2,66 | 2,42 | 2,20 | 2,11 | 2,02 | 1,9 |
| 10 t - 14,77 m | (IV) | 10 | 9,14 | 6,30 | 4,69 | 4,29 | 3,64 | 3,13 | 2,91 | 2,71 | 2,37 | 2,22 | 2,08 | 1,83 | 1,62 | 1,52 | 1,43 | 1,31 |
| 5 t - 34,54 m | (III) | 5 | 5 | 5 | 5 | 5 | 5 | 4,48 | 4,22 | 3,99 | 3,59 | 3,41 | 3,25 | 2,96 | 2,71 | 2,6 | | |
| 10 t - 17,37 m | (IV) | 10 | 10 | 7,63 | 5,73 | 5,27 | 4,50 | 3,89 | 3,64 | 3,41 | 3,00 | 2,82 | 2,66 | 2,37 | 2,12 | 2,01 | | |
| 5 t - 37,7 m | (III) | 5 | 5 | 5 | 5 | 5 | 5 | 4,96 | 4,68 | 4,43 | 3,98 | 3,79 | 3,61 | 3,3 | | | | |
| 10 t - 19 m | (IV) | 10 | 10 | 8,46 | 6,38 | 5,87 | 5,04 | 4,38 | 4,09 | 3,84 | 3,40 | 3,20 | 3,03 | 2,71 | | | | |
| 5 t - 40,3 m | (III) | 5 | 5 | 5 | 5 | 5 | 5 | 5 | 5 | 4,77 | 4,30 | 4,1 | | | | | | |
| 10 t - 20,3 m | (IV) | 10 | 10 | 9,13 | 6,91 | 6,36 | 5,47 | 4,76 | 4,46 | 4,19 | 3,72 | 3,51 | | | | | | |
| 5 t - 40,5 m | (III) | 5 | 5 | 5 | 5 | 5 | 5 | 5 | 5 | 4,77 | 4,30 | 4,1 | | | | | | |

